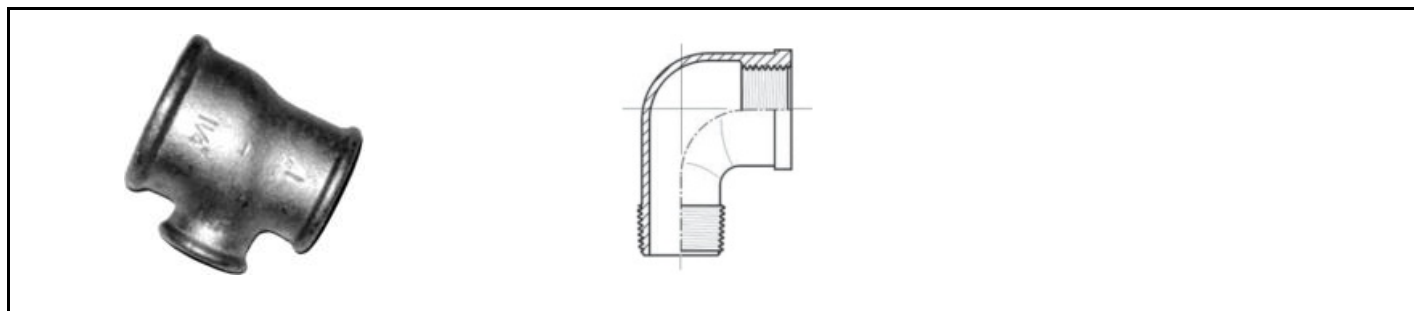




TEE ridotta particolare - ISO B1



**Informazioni****Serie HG**

<b>Normativa</b>	EN 10242 CLASSE A
<b>Materiale</b>	Ghisa malleabile a norma EN 1562 (punto 5) , rispondente al grado EN-JM-1140 (Ex EN-GJMB-350-10)
<b>Zincatura</b>	Zincatura senza piombo eseguita a caldo per immersione
<b>Pressione nominale</b>	25 bar (con temperatura -20 °C ÷ +120 °C) 20 bar (con temperatura > 120°C fino ad un massimo di 300°C)
<b>Filettatura</b>	Maschio: Gas conica ISO 7/1 Femmina: Gas cilindrica ISO 228

**TEE ridotta particolare - ISO B1**

•

Titolo

HZ-130R

Tabella codici

Codice Fornitore	Misura FFF	Modello
HGZ-130R 3/4-1/2-1/2	3/4"-1/2"-1/2"	HGZ-130R
HGZ-130R 3/4-3/4-1/2	3/4"-3/4"-1/2"	HGZ-130R
HGZ-130R 1"-1/2-1/2	1"-1/2"-1/2"	HGZ-130R
HGZ-130R 1"-1/2-3/4	1"-1/2"-3/4"	HGZ-130R
HGZ-130R 1"-3/4-1/2	1"-3/4"-1/2"	HGZ-130R
HGZ-130R 1"-3/4-3/4	1"-3/4"-3/4"	HGZ-130R
HGZ-130R 1"-1"-1/2	1"-1"-1/2"	HGZ-130R
HGZ-130R 1"-1"-3/4	1"-1"-3/4"	HGZ-130R
HGZ-130R 1"1/4-1/2-1"	1"1/4-1/2"-1"	HGZ-130R
HGZ-130R 1"1/4-3/4-3/4	1"1/4-3/4"-3/4"	HGZ-130R
HGZ-130R 1"1/4-3/4-1"	1"1/4-3/4"-1"	HGZ-130R
HGZ-130R 1"1/4-1"-1"	1"1/4-1"-1"	HGZ-130R
HGZ-130R 1"1/4-1"1/4-1/2	1"1/4-1"1/4-1/2"	HGZ-130R
HGZ-130R 1"1/4-1"1/4-3/4	1"1/4-1"1/4-3/4"	HGZ-130R
HGZ-130R 1"1/4-1"1/4-1"	1"1/4-1"1/4-1"	HGZ-130R
HGZ-130R 1"1/2-1/2-1"1/4	1"1/2-1/2"-1"1/4"	HGZ-130R
HGZ-130R 1"1/2-1"-1"	1"1/2-1"-1"	HGZ-130R
HGZ-130R 1"1/2-1"-1"1/4	1"1/2-1"-1"1/4"	HGZ-130R
HGZ-130R 1"1/2-1"1/4-1"1/4	1"1/2-1"1/4-1"1/4"	HGZ-130R
HGZ-130R 1"1/2-1"1/2-1/2	1"1/2-1"1/2-1/2"	HGZ-130R
HGZ-130R 1"1/2-1"1/2-3/4	1"1/2-1"1/2-3/4"	HGZ-130R
HGZ-130R 1"1/2-1"1/2-1"	1"1/2-1"1/2-1"	HGZ-130R
HGZ-130R 1"1/2-1"1/2-1"1/4	1"1/2-1"1/2-1"1/4"	HGZ-130R
HGZ-130R 2"-1/2-1"1/2	2"-1/2"-1"1/2"	HGZ-130R
HGZ-130R 2"-3/4-1"1/2	2"-3/4"-1"1/2"	HGZ-130R
HGZ-130R 2"-1"-1"1/2	2"-1"-1"1/2"	HGZ-130R
HGZ-130R 2"-1"1/4-1"1/2	2"-1"1/4-1"1/2"	HGZ-130R
HGZ-130R 2"-1"1/2-1"1/2	2"-1"1/2-1"1/2"	HGZ-130R
HGZ-130R 2"-2"-1/2	2"-2"-1/2"	HGZ-130R
HGZ-130R 2"-2"-3/4	2"-2"-3/4"	HGZ-130R
HGZ-130R 2"-2"-1"	2"-2"-1"	HGZ-130R
HGZ-130R 2"-2"-1"1/2	2"-2"-1"1/2"	HGZ-130R

PRODOTTI DELLA STESSA SERIE

 <p>CURVA 90° F/F - ISO G1</p>	 <p>GOMITO 90° F/F - ISO A1</p>	 <p>GOMITO RIDOTTO 90° F/F - ISO A1</p>
 <p>CURVA 90° M/F - ISO G4</p>	 <p>GOMITO 90° M/F - ISO A4</p>	 <p>GOMITO RIDOTTO 90° F/M - ISO A4</p>

 <p>CURVA 45° F/F - ISO G1/45°</p>	 <p>GOMITO 45° F/F - ISO A1/45°</p>	 <p>CURVA 45° M/F - ISO G4/45°</p>
 <p>GOMITO 45° M/F - ISO A4/45°</p>	 <p>TEE 90° - ISO B1</p>	 <p>TEE RIDOTTA AL CENTRO - ISO B1</p>
 <p>CROCE 90° - ISO C1</p>	 <p>DISTRIBUTORE 3 VIE - ISO ZA1</p>	 <p>DISTRIBUTORE 4 VIE - ISO ZA2</p>
 <p>TEE 45°</p>	 <p>MANICOTTO NORMALE F/F - ISO M2</p>	 <p>MANICOTTO RIDOTTO F/F - ISO M2</p>
 <p>MANICOTTO RIDOTTO F/M - ISO M4</p>	 <p>MANICOTTO M/F - ISO M4</p>	 <p>RIDUZIONE M/F - ISO N4</p>
 <p>TAPPO MASCHIO - ISO T9</p>	 <p>CALOTTA FEMMINA - ISO T1</p>	 <p>BOCCHETTONE F/F - ISO U1</p>
		

<p>BOCCHETTONE M/F - ISO U2</p>	<p>GUARNIZIONE IN FIBRA</p>	<p>BOCCHETTONE F/F - ISO U11</p>
		
<p>BOCCHETTONE M/F - ISO U12</p>	<p>BOCCHETTONE CURVO F/F - ISO UA11</p>	<p>BOCCHETTONE CURVO M/F - ISO UA12</p>
		
<p>VITE DOPPIA NORMALE - ISO N8</p>	<p>VITE DOPPIA RIDOTTA - ISO N8</p>	<p>NIPPLO SEMPLICE</p>

Documenti

Nessun documento