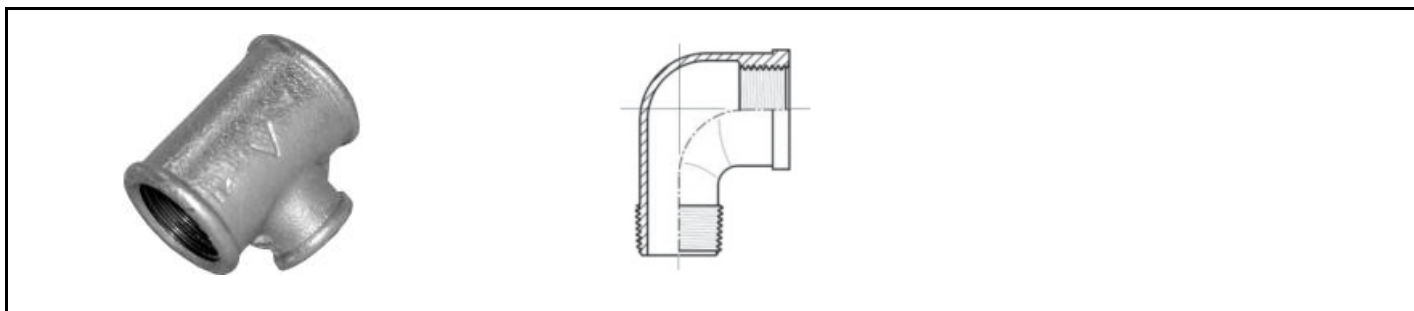




TEE ridotta al centro - ISO B1



Informazioni**Serie HG**

Normativa	EN 10242 CLASSE A
Materiale	Ghisa malleabile a norma EN 1562 (punto 5) , rispondente al grado EN-JM-1140 (Ex EN-GJMB-350-10)
Zincatura	Zincatura senza piombo eseguita a caldo per immersione
Pressione nominale	25 bar (con temperatura -20 °C ÷ +120 °C) 20 bar (con temperatura > 120°C fino ad un massimo di 300°C)
Filettatura	Maschio: Gas conica ISO 7/1 Femmina: Gas cilindrica ISO 228

Tabella codici

Codice Fornitore	Misura FFF	Modello
HGZ-130R 1`1/4-1/2-1`1/4	1"1/4-1/2"-1"1/4	HGZ-130R
HGZ-130R 1`1/4-3/4-1`1/4	1"1/4-3/4"-1"1/4	HGZ-130R
HGZ-130R 1`1/4-1"-1`1/4	1"1/4-1"-1"1/4	HGZ-130R
HGZ-130R 1`1/2-1/2-1`1/2	1"1/2-1/2"-1"1/2	HGZ-130R
HGZ-130R 1`1/2-3/4-1`1/2	1"1/2-3/4"-1"1/2	HGZ-130R
HGZ-130R 1`1/2-1"-1`1/2	1"1/2-1"-1"1/2	HGZ-130R
HGZ-130R 1`1/2-1`1/4-1`1/2	1"1/2-1"1/4"-1"1/2	HGZ-130R
HGZ-130R 2`-1/2-2`	2"-1/2"-2"	HGZ-130R
HGZ-130R 2`-3/4-2`	2"-3/4"-2"	HGZ-130R
HGZ-130R 2`-1`-2`	2"-1"-2"	HGZ-130R
HGZ-130R 2`-1`1/4-2`	2"-1"1/4"-2"	HGZ-130R
HGZ-130R 2`-1`1/2-2`	2"-1"1/2"-2"	HGZ-130R
HGZ-130R 2`1/2-1`-2`1/2	2"1/2-1"-2"1/2	HGZ-130R
HGZ-130R 2`1/2-1`1/4-2`1/2	2"1/2-1"1/4"-2"1/2	HGZ-130R
HGZ-130R 2`1/2-1`1/2-2`1/2	2"1/2-1"1/2"-2"1/2	HGZ-130R
HGZ-130R 2`1/2-2`-2`1/2	2"1/2-2"-2"1/2	HGZ-130R
HGZ-130R 3`-1`-3`	3"-1"-3"	HGZ-130R
HGZ-130R 3`-1`1/4-3`	3"-1"1/4"-3"	HGZ-130R
HGZ-130R 3`-1`1/2-3`	3"-1"1/2"-3"	HGZ-130R
HGZ-130R 3`-2`-3`	3"-2"-3"	HGZ-130R
HGZ-130R 3`-2`1/2-3`	3"-2"1/2"-3"	HGZ-130R
HGZ-130R 4`-2`-4`	4"-2"-4"	HGZ-130R
HGZ-130R 4`-2`1/2-4`	4"-2"1/2"-4"	HGZ-130R
HGZ-130R 4`-3`-4`	4"-3"-4"	HGZ-130R
HGZ-130R 3/8-1/2-3/8	3/8"-1/2"-3/8"	HGZ-130R
HGZ-130R 1/2-3/8-1/2	1/2"-3/8"-1/2"	HGZ-130R
HGZ-130R 1/2-3/4-1/2	1/2"-3/4"-1/2"	HGZ-130R
HGZ-130R 3/4-3/8-3/4	3/4"-3/8"-3/4"	HGZ-130R
HGZ-130R 3/4-1/2-3/4	3/4"-1/2"-3/4"	HGZ-130R
HGZ-130R 3/4-1`-3/4	3/4"-1"-3/4"	HGZ-130R
HGZ-130R 1`-1/2-1`	1"-1/2"-1"	HGZ-130R
HGZ-130R 1`-3/4-1`	1"-3/4"-1"	HGZ-130R

PRODOTTI DELLA STESSA SERIE

		
CURVA 90° F/F - ISO G1	GOMITO 90° F/F - ISO A1	GOMITO RIDOTTO 90° F/F - ISO A1
		
CURVA 90° M/F - ISO G4	GOMITO 90° M/F - ISO A4	GOMITO RIDOTTO 90° F/M - ISO A4

 <p>CURVA 45° F/F - ISO G1/45°</p>	 <p>GOMITO 45° F/F - ISO A1/45°</p>	 <p>CURVA 45° M/F - ISO G4/45°</p>
 <p>GOMITO 45° M/F - ISO A4/45°</p>	 <p>TEE 90° - ISO B1</p>	 <p>TEE RIDOTTA PARTICOLARE - ISO B1</p>
 <p>CROCE 90° - ISO C1</p>	 <p>DISTRIBUTORE 3 VIE - ISO ZA1</p>	 <p>DISTRIBUTORE 4 VIE - ISO ZA2</p>
 <p>TEE 45°</p>	 <p>MANICOTTO NORMALE F/F - ISO M2</p>	 <p>MANICOTTO RIDOTTO F/F - ISO M2</p>
 <p>MANICOTTO RIDOTTO F/M - ISO M4</p>	 <p>MANICOTTO M/F - ISO M4</p>	 <p>RIDUZIONE M/F - ISO N4</p>
 <p>TAPPO MASCHIO - ISO T9</p>	 <p>CALOTTA FEMMINA - ISO T1</p>	 <p>BOCCHETTONE F/F - ISO U1</p>
		

<p>BOCCHETTONE M/F - ISO U2</p>	<p>GUARNIZIONE IN FIBRA</p>	<p>BOCCHETTONE F/F - ISO U11</p>
		
<p>BOCCHETTONE M/F - ISO U12</p>	<p>BOCCHETTONE CURVO F/F - ISO UA11</p>	<p>BOCCHETTONE CURVO M/F - ISO UA12</p>
		
<p>VITE DOPPIA NORMALE - ISO N8</p>	<p>VITE DOPPIA RIDOTTA - ISO N8</p>	<p>NIPPLO SEMPLICE</p>

Documenti

Nessun documento